



*Gray Metal South, Inc.*

P.O. Box 1126 • Dunn, NC 28335  
600 North Powell Avenue • Dunn, NC 28334  
Phone: 1-910-892-2119  
Fax: 1-910-892-7053

JOB: \_\_\_\_\_  
Location \_\_\_\_\_  
Engineer: \_\_\_\_\_  
Contractor: \_\_\_\_\_  
P.O.# : \_\_\_\_\_  
Job #: \_\_\_\_\_  
Representative: \_\_\_\_\_

Certified Correct

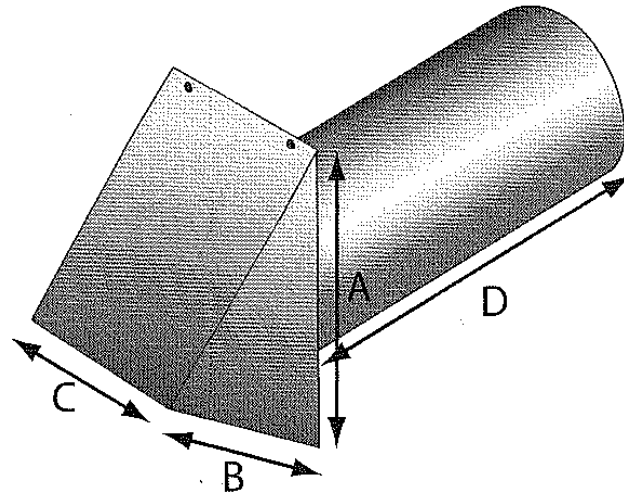
By: **John Di Mascio**

Title: **Manager**

Date: **4/3/2012**

## ITEM # 329- Galv. Fresh Air Intake

- 26 gauge galvanized steel
- Mouth opening exceeds pipe area for best airflow
- ¼" x ¼" screens mechanically inserted and removable
- 6" tailpipe
- 4 mounting holes for secure connections



Dia.	A (in.)	B (in.)	C (in.)	D (in.)
4"-329	7.5	3.25	6	6
5"-329	9	4	8	6
6"-629	9	4	8	6
7"-329	11.25	5.4	10	6
8"-329	11.25	5.4	10	6
10"-329	14.13	6.9	12	6
12"-329	14.13	6.9	14	6

Size: <input type="checkbox"/> Width <input type="checkbox"/> Depth (inches) <input type="checkbox"/> Height <input type="checkbox"/> Diam										
Length (inches)										
Material & Gauges <input type="checkbox"/> Galv. <input type="checkbox"/> Stainless <input type="checkbox"/> Alum										