



Gray Metal South, Inc.

P.O. Box 1126, Dunn, NC 28335
 600 North Powell Avenue, Dunn, NC 28334

Phone: 1-910-892-2119

Fax: 1-910-892-7053

www.graymetalsouth.com

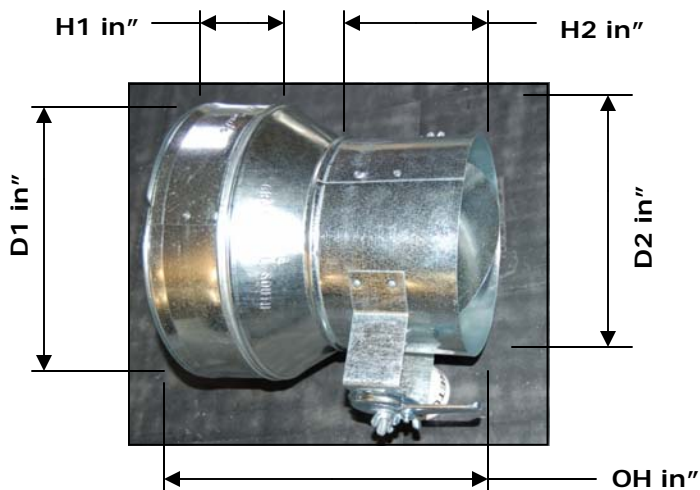
Job:
 Location:
 Engineer:
 Contractor:
 P.O #:
 Job #:
 Representative:
CERTIFIED CORRECT
 By: Clay Dunigan
 Title: Plant Engineer
 Date: 11-13-08

GMS Part Number:

No. 411SDQ

DESCRIPTION

- Conical Fitting With Scoop and Damper
- Packaged to order (PTO)
- 26 gauge (Galvanized) Steel



PART NUMBER	D1	D2	H1	H2	OH
8 X 6 — 411SDQ	8	6	2-1/2	4	8-1/4
10 X 8 — 411SDQ	10	8	2-1/2	4	8-1/4
12 X 10 — 411SDQ	12	10	2-1/2	4	8-1/4

Meets SMACNA Specifications